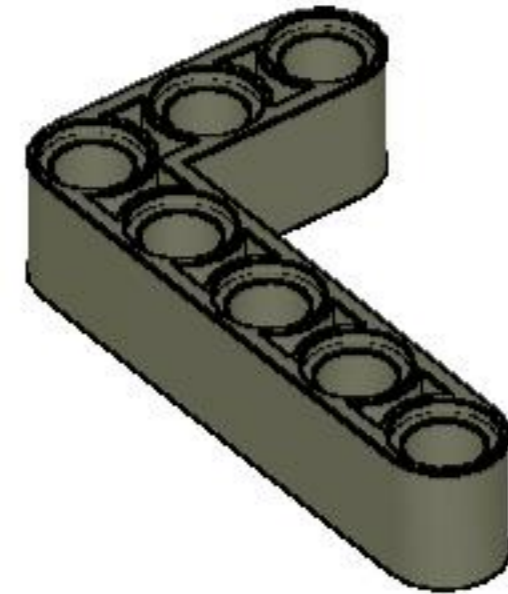


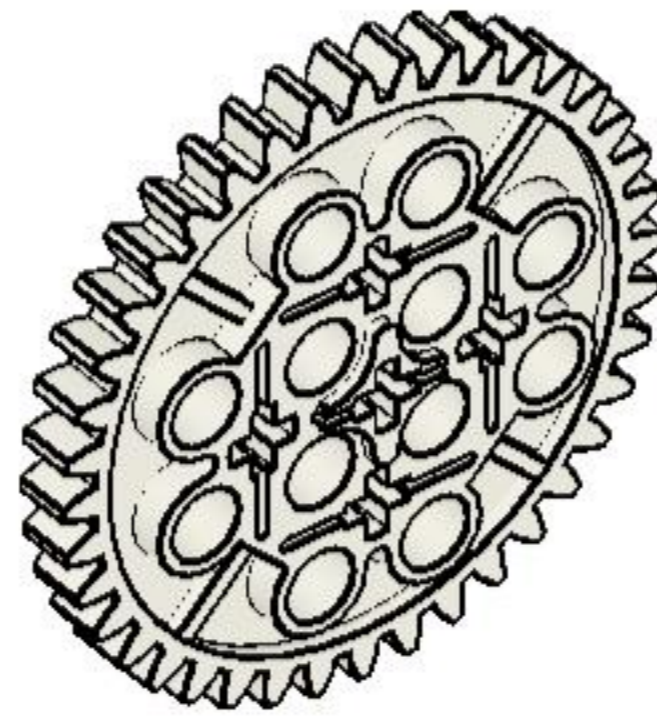
Part Number, Color Number



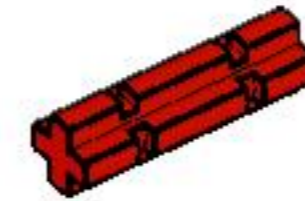
4x
2780, 11



1x
32526, 10



1x
3649, 49



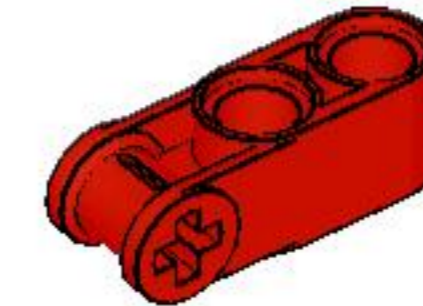
1x
32062, 5



1x
32498, 11



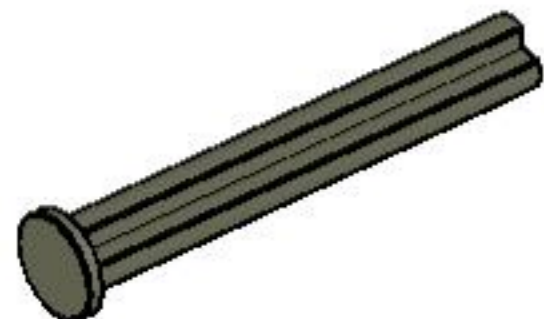
1x
3713, 9



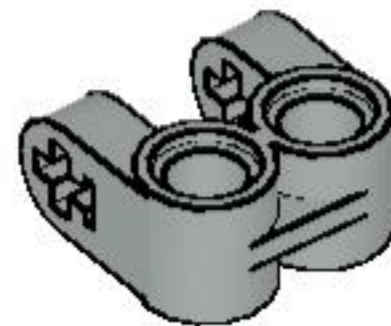
1x
42003, 5



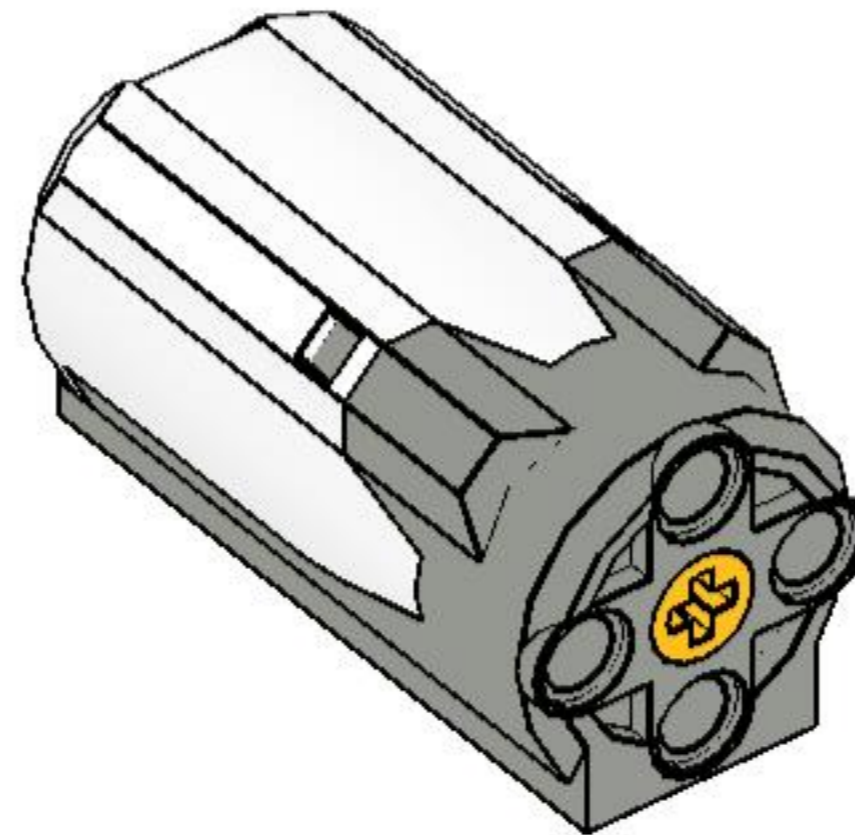
1x
32013, 110



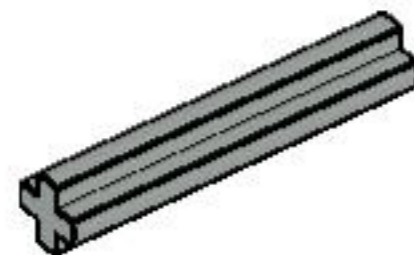
1x
87083, 10



1x
41678, 9

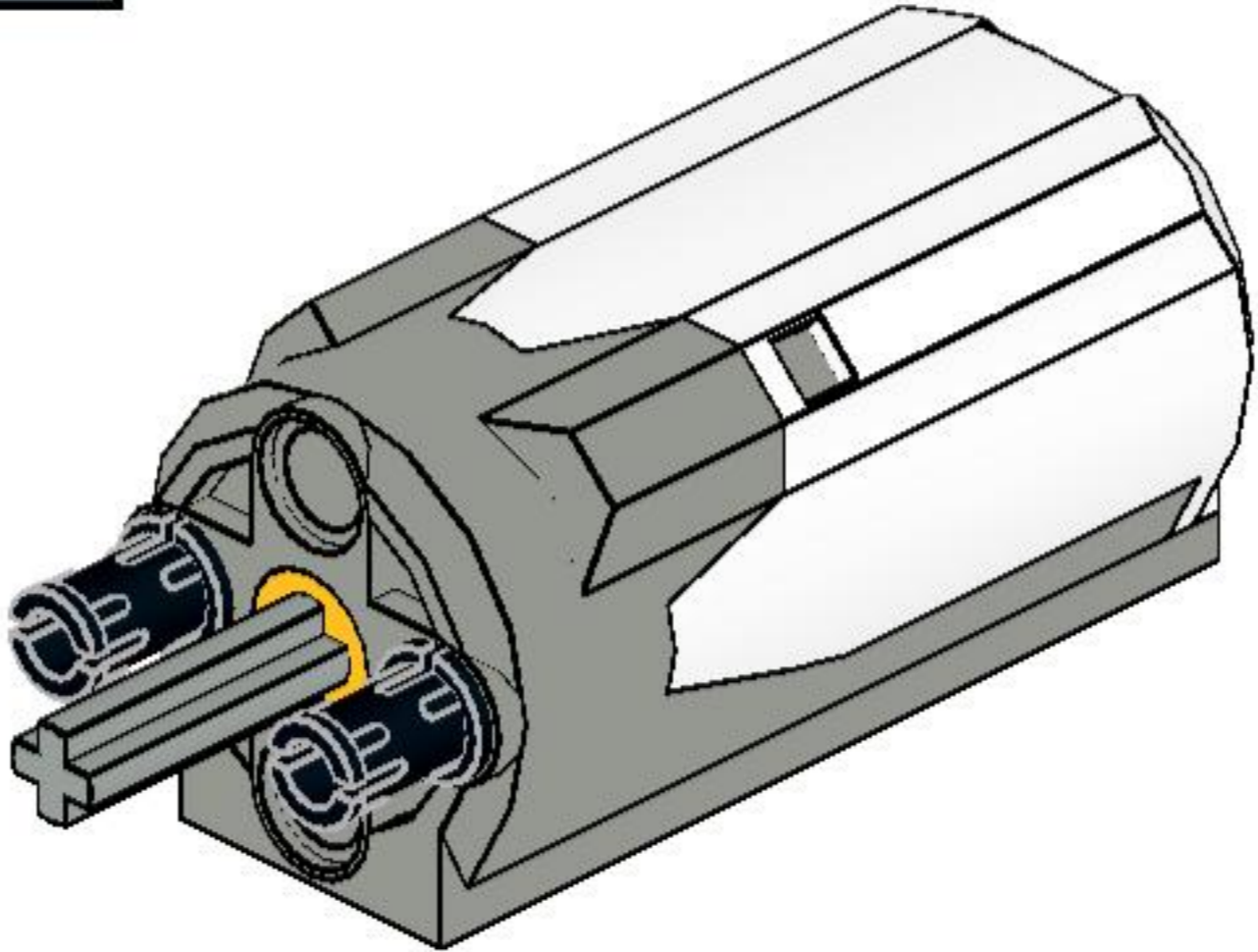
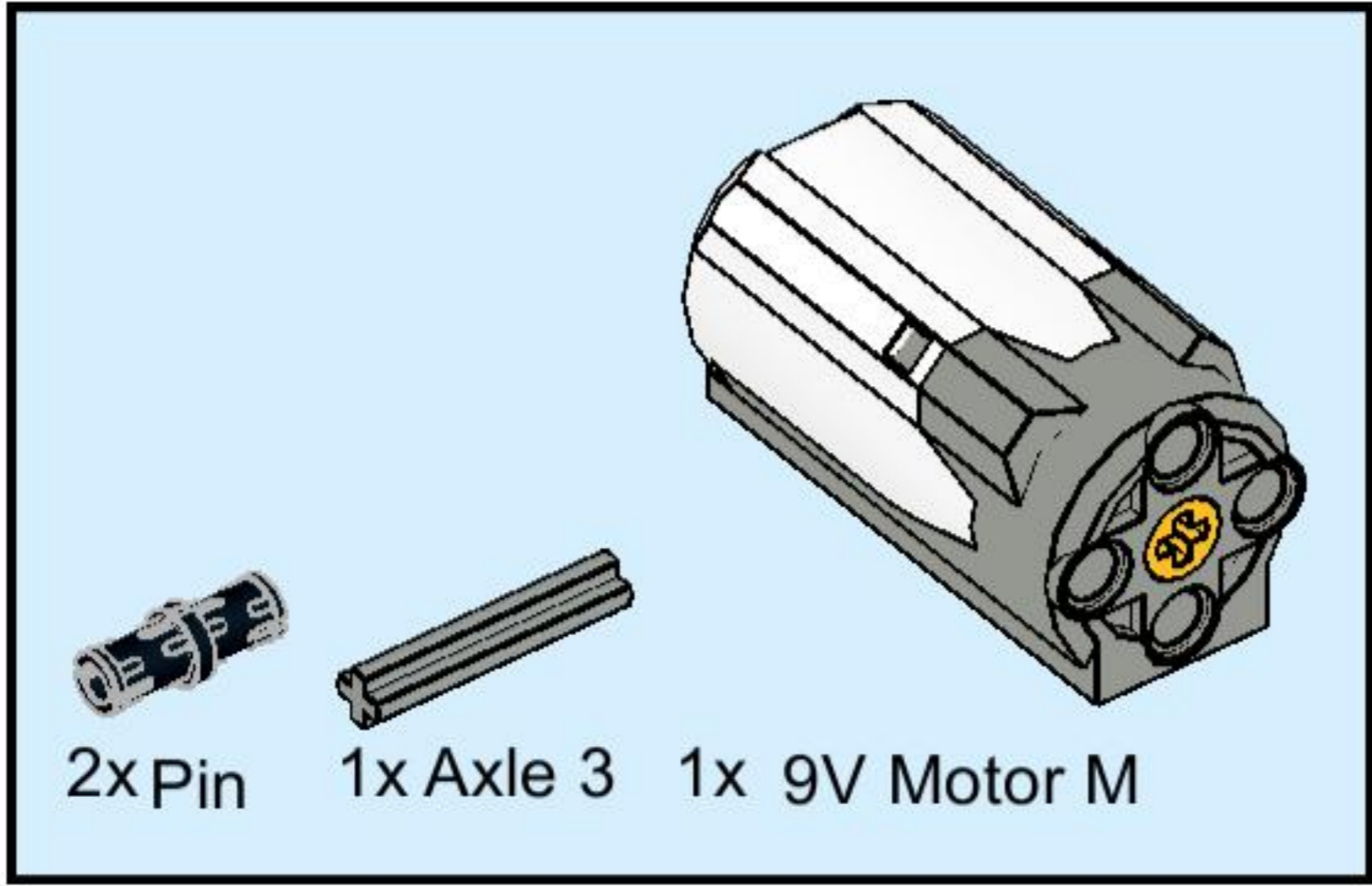


1x
58120c01, 1

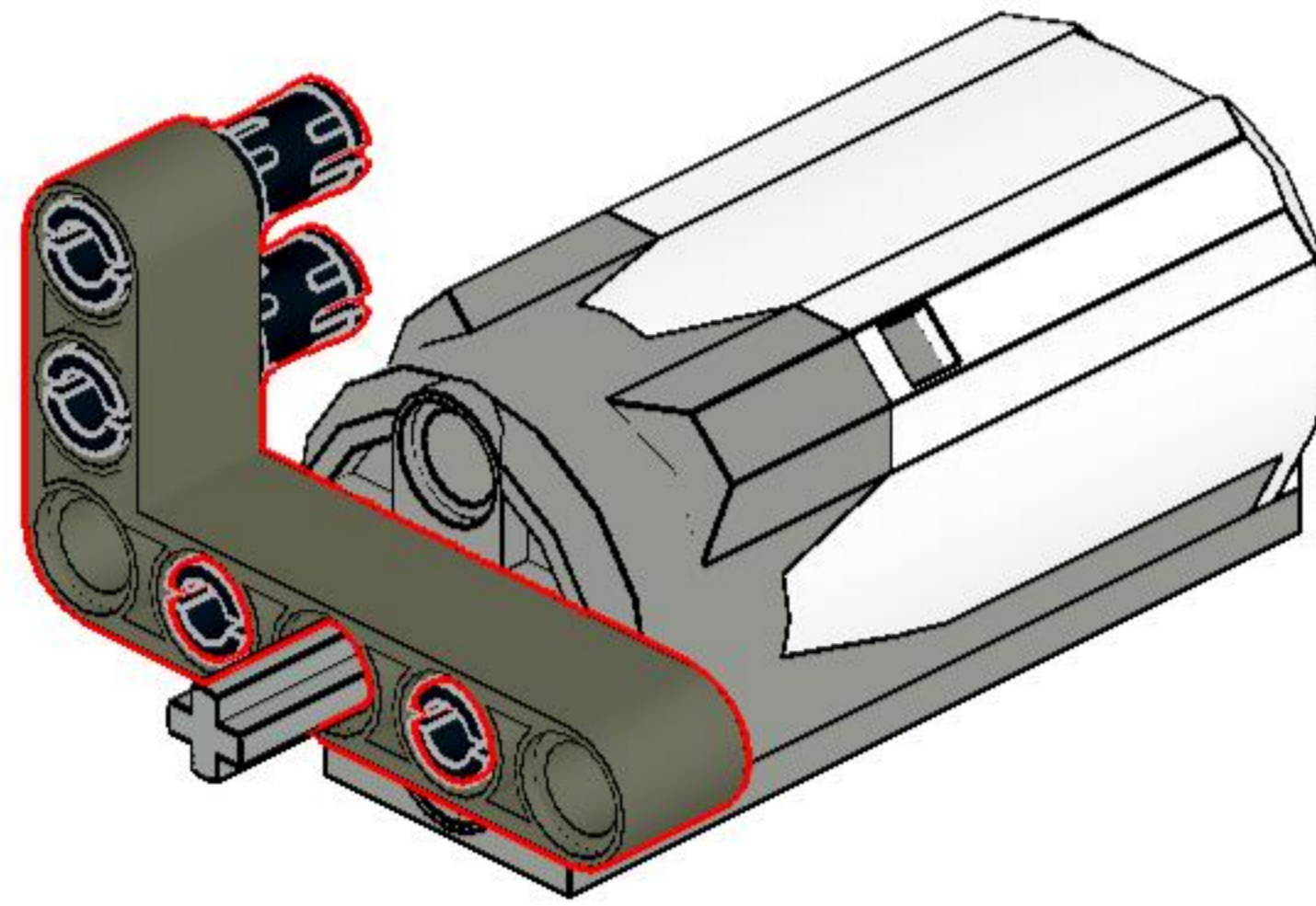
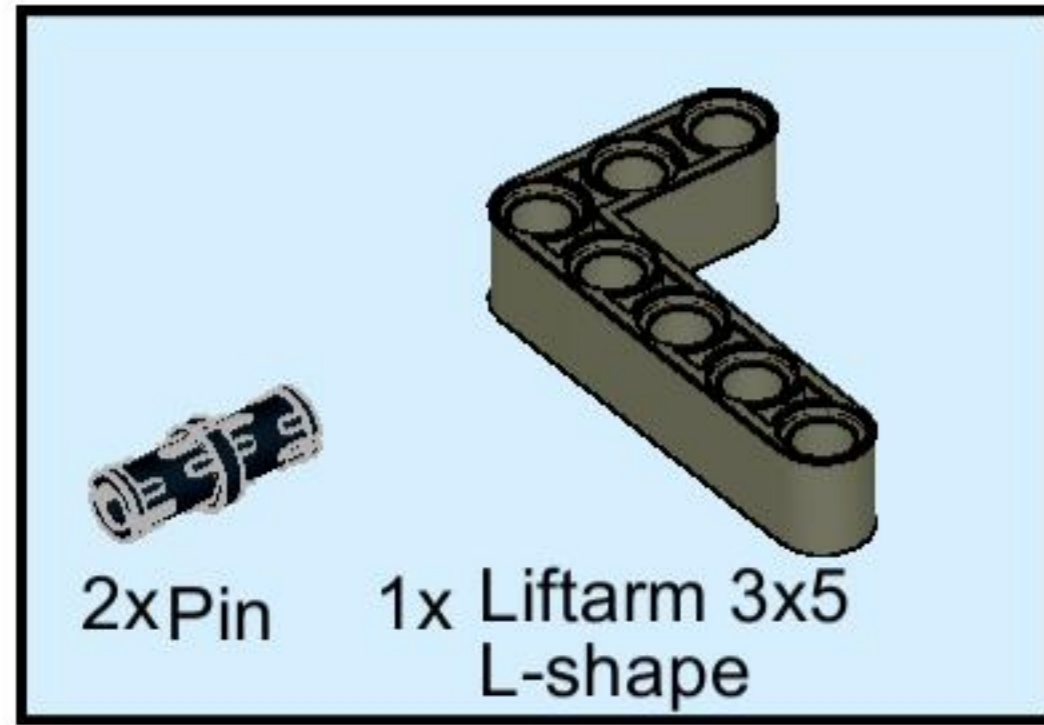


1x
4519, 9

1



2



3

Axle and Pin
Connector
Perpendicular
3L with 2 Pin
Holes

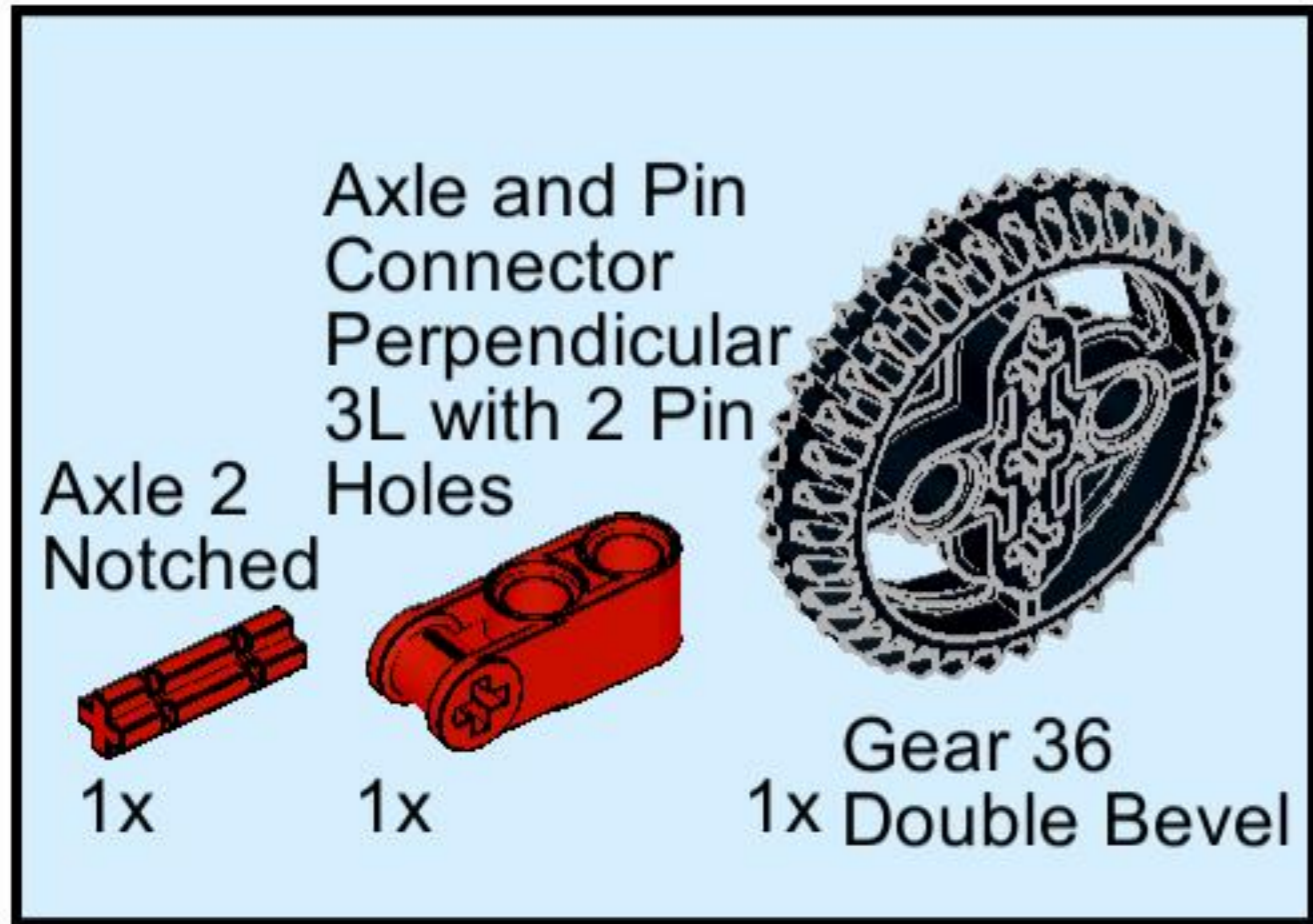
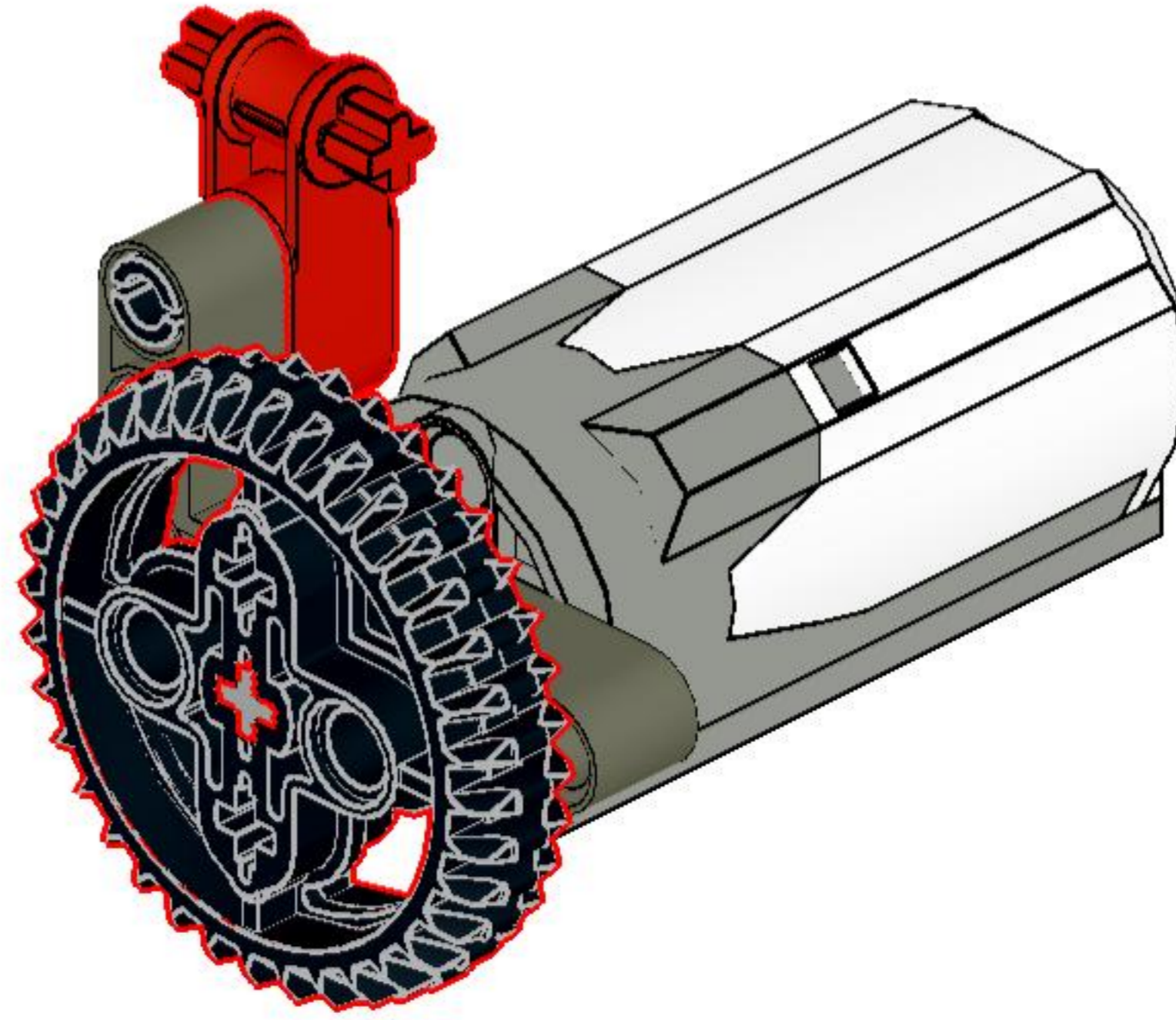
Axle 2
Notched

1x

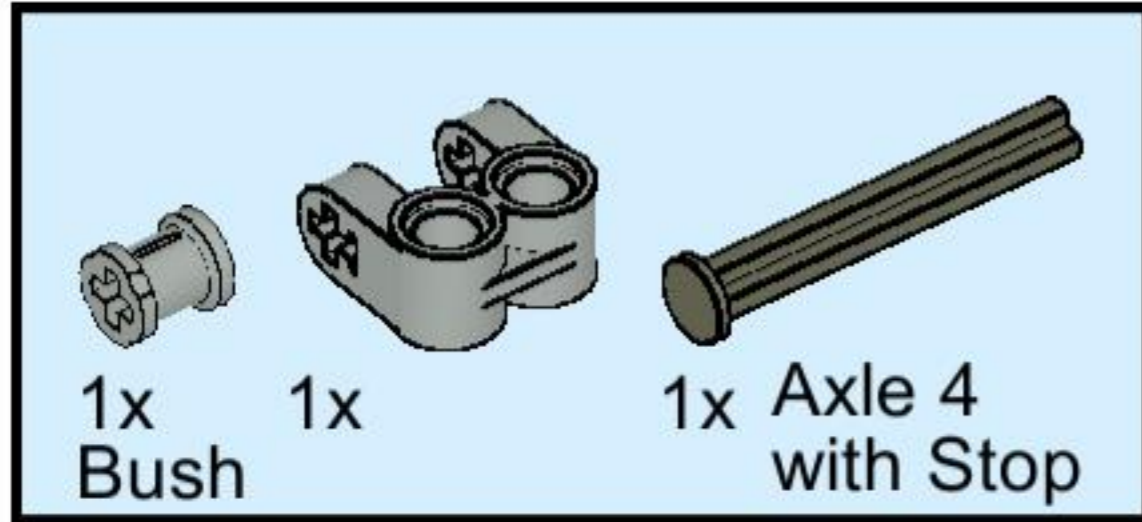
1x

1x

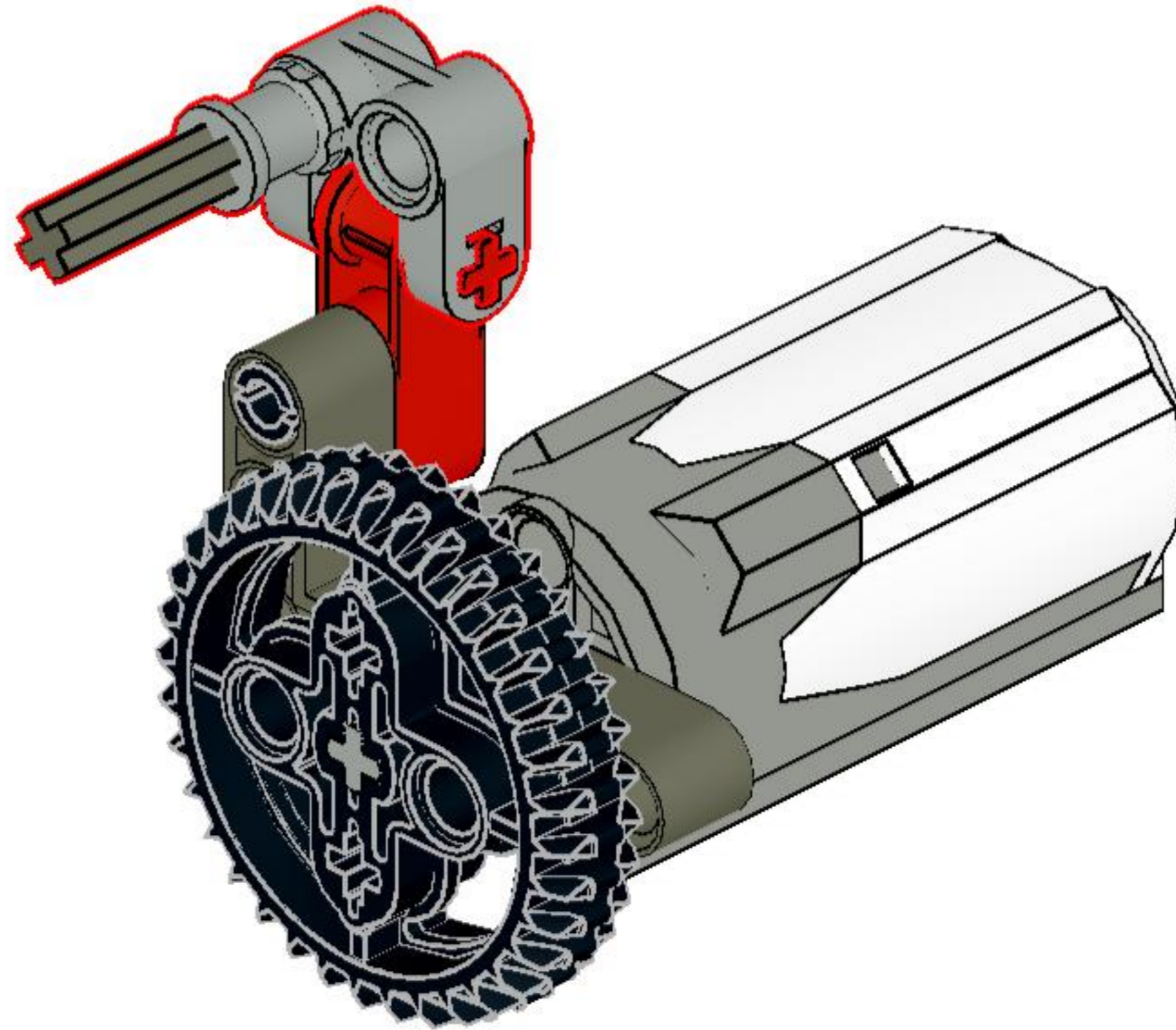
Gear 36
1x Double Bevel

A light blue rectangular box containing a parts list. On the left, there is a small red notched axle pin and a larger red perpendicular connector with two holes. To the right is a large black gear with 36 teeth and a double bevel design. The text labels each part and its quantity.

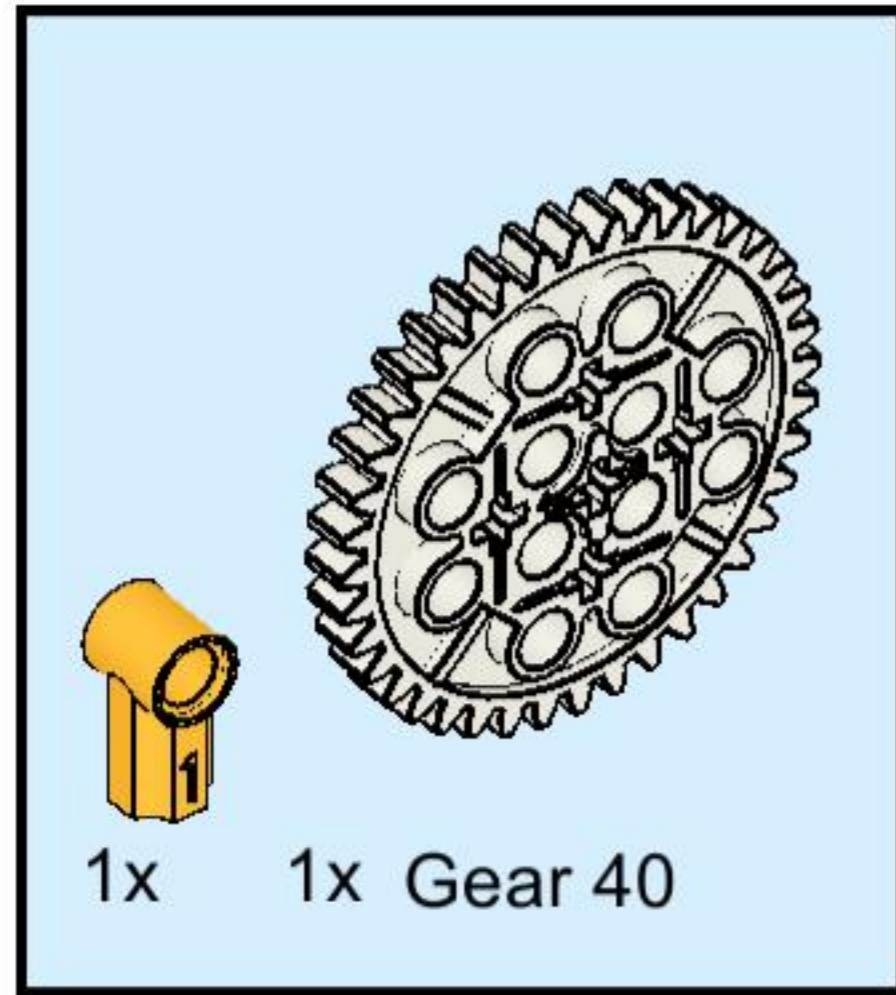
4



Axle and Pin
Connector
Perpendicular
Double Split



5



Axle and Pin
Connector
Angled #1

