

# Part Number, Color Number



1x  
6628, 11



2x  
2780, 11



4x  
32184, 11



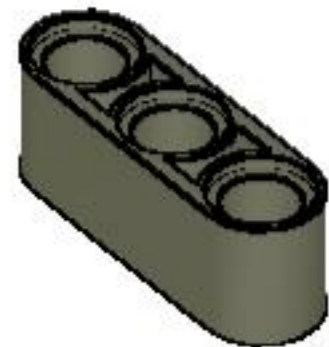
1x  
3705, 11



1x  
99010, 11



1x  
40490, 11



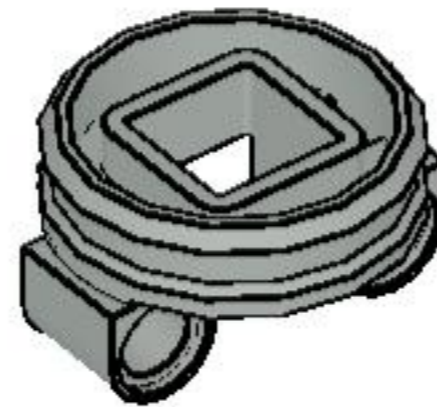
1x  
32523, 10



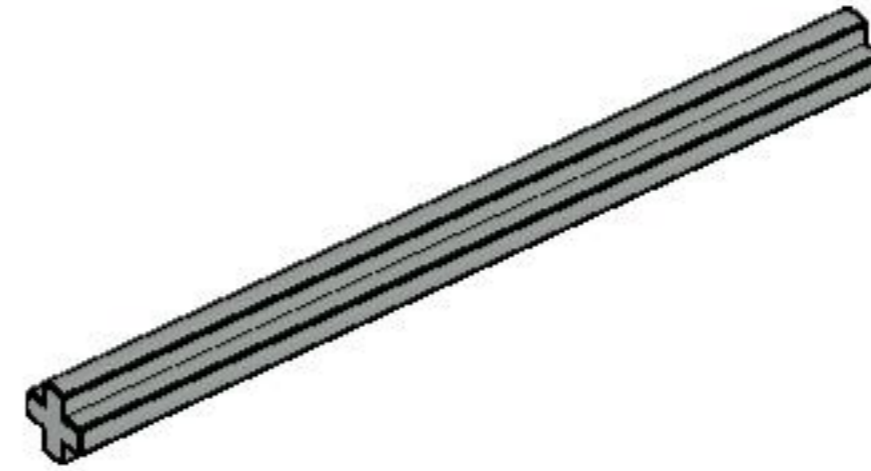
1x  
3648, 10



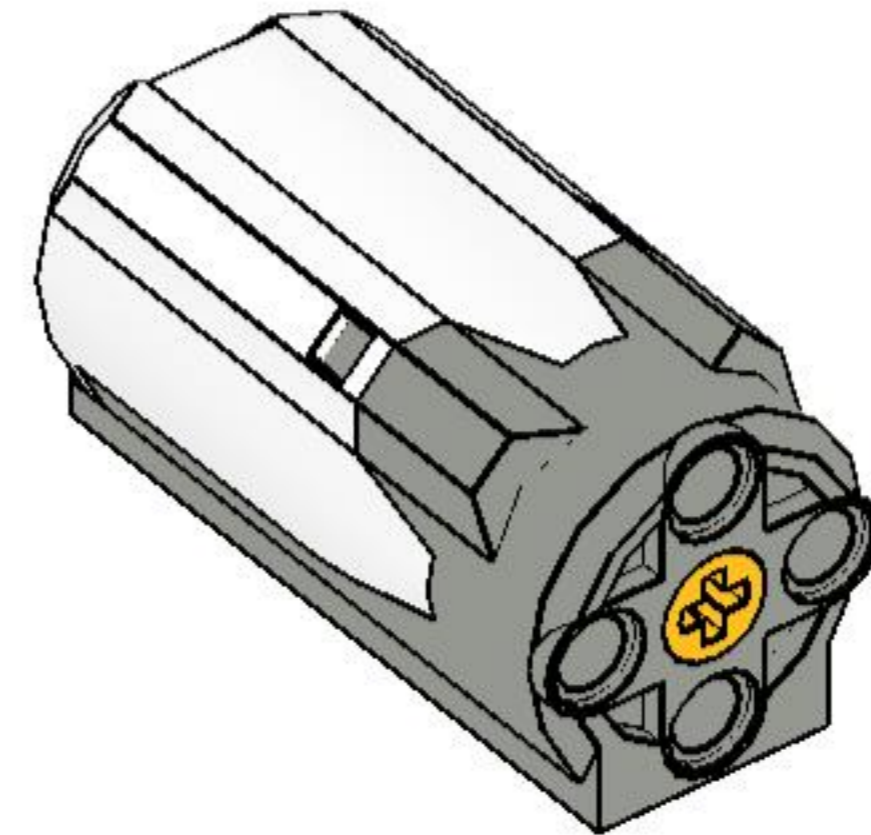
1x  
3713, 9



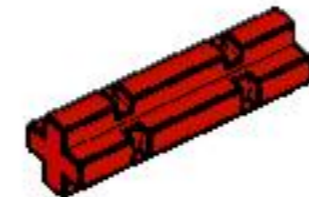
1x  
99009, 9



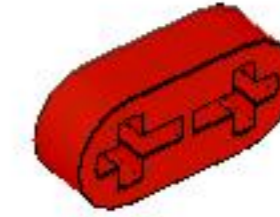
2x  
44294, 9



1x  
58120c01, 1



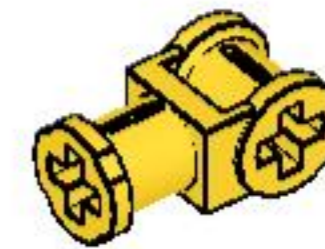
2x  
32062, 5



2x  
41677, 5



1x  
32013, 110



1x  
32039, 3

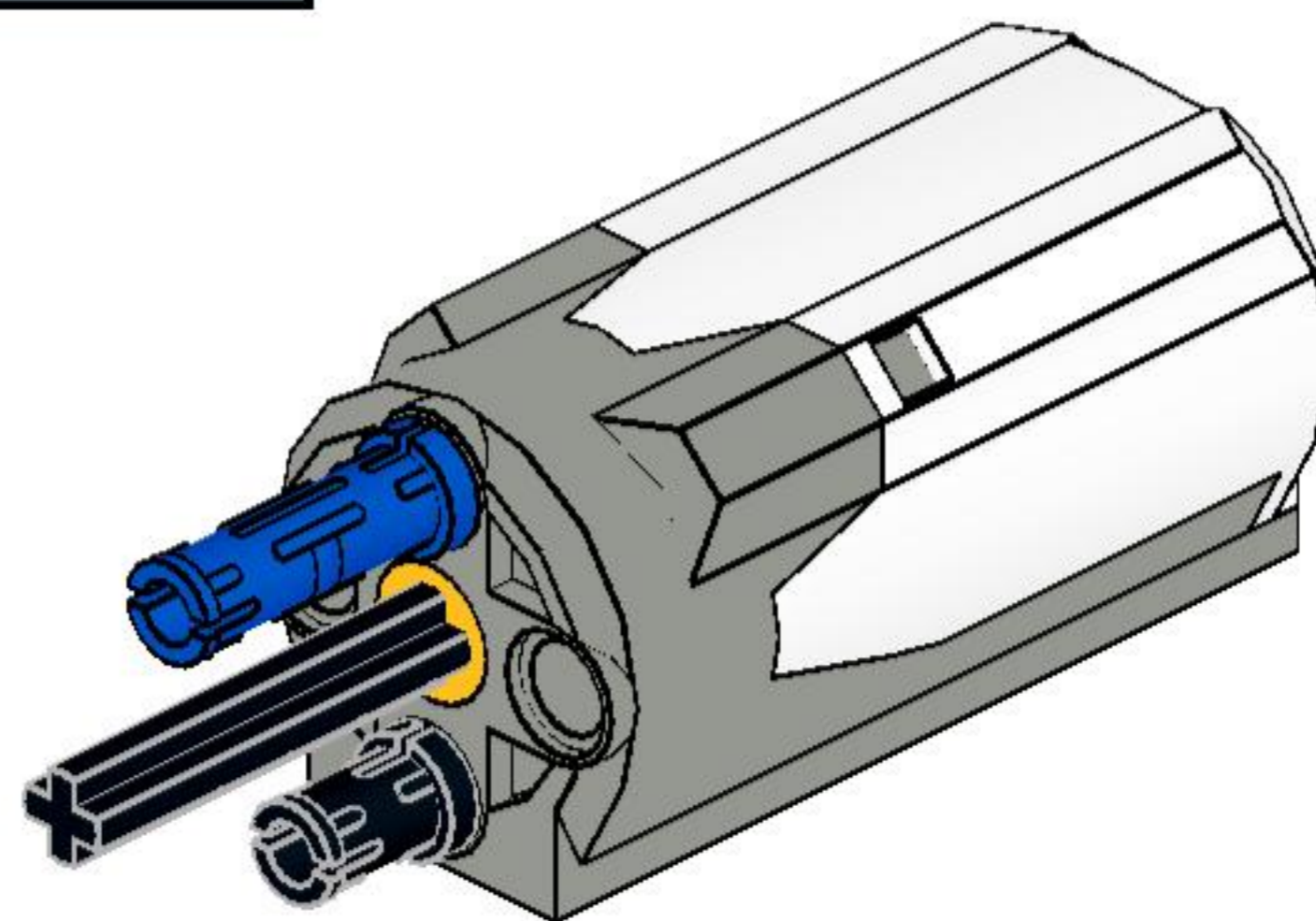
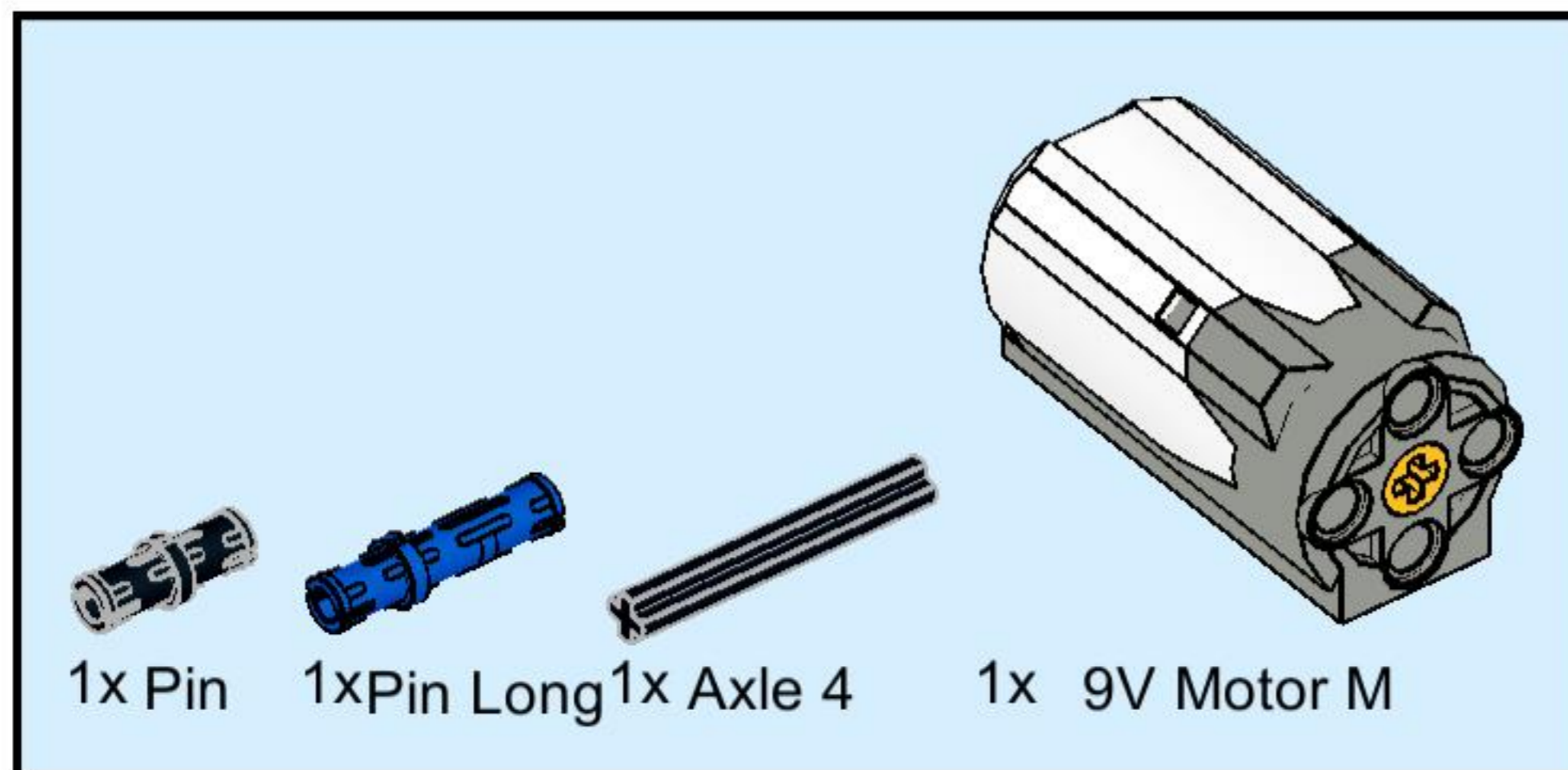


2x  
43093, 7

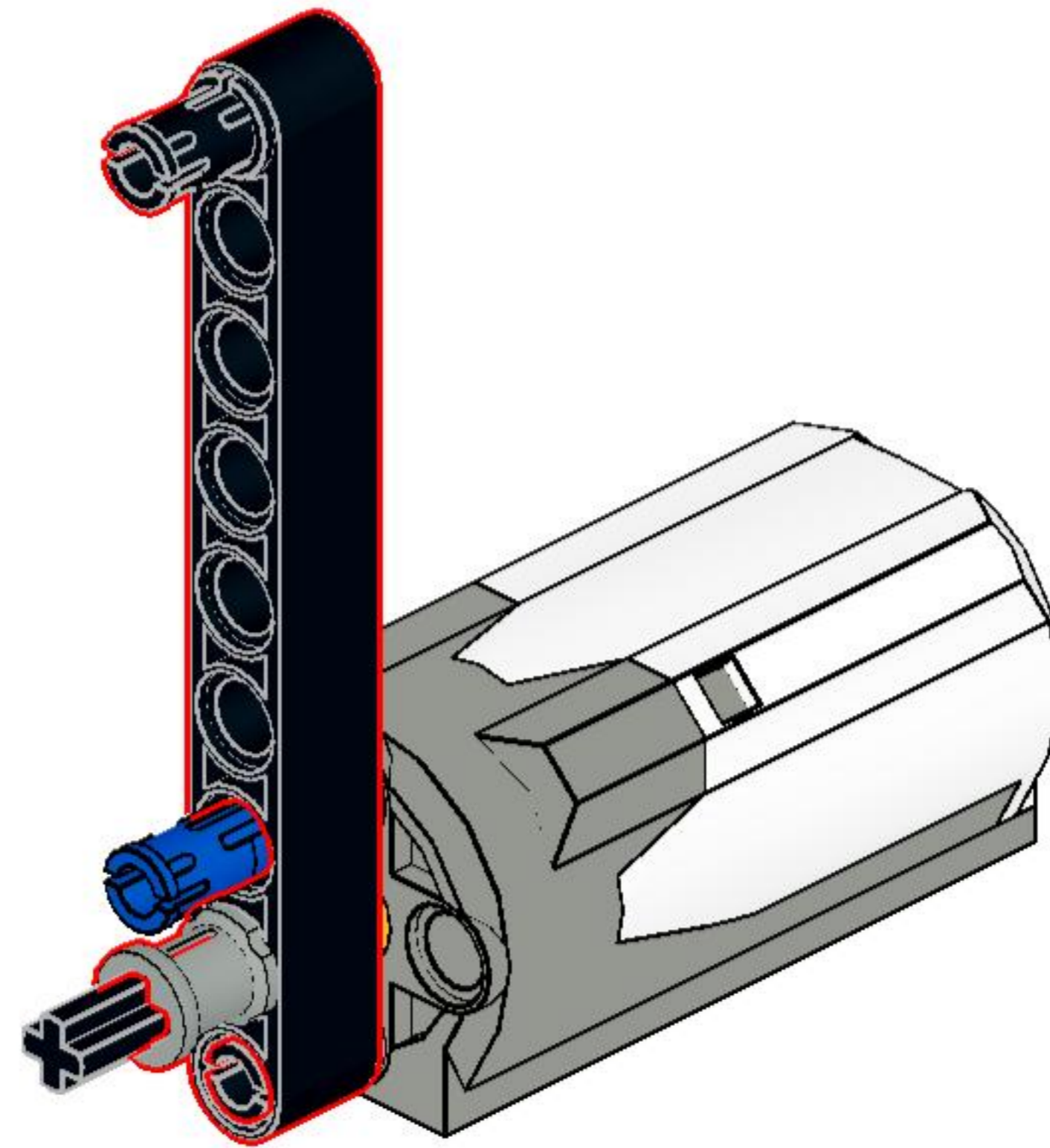
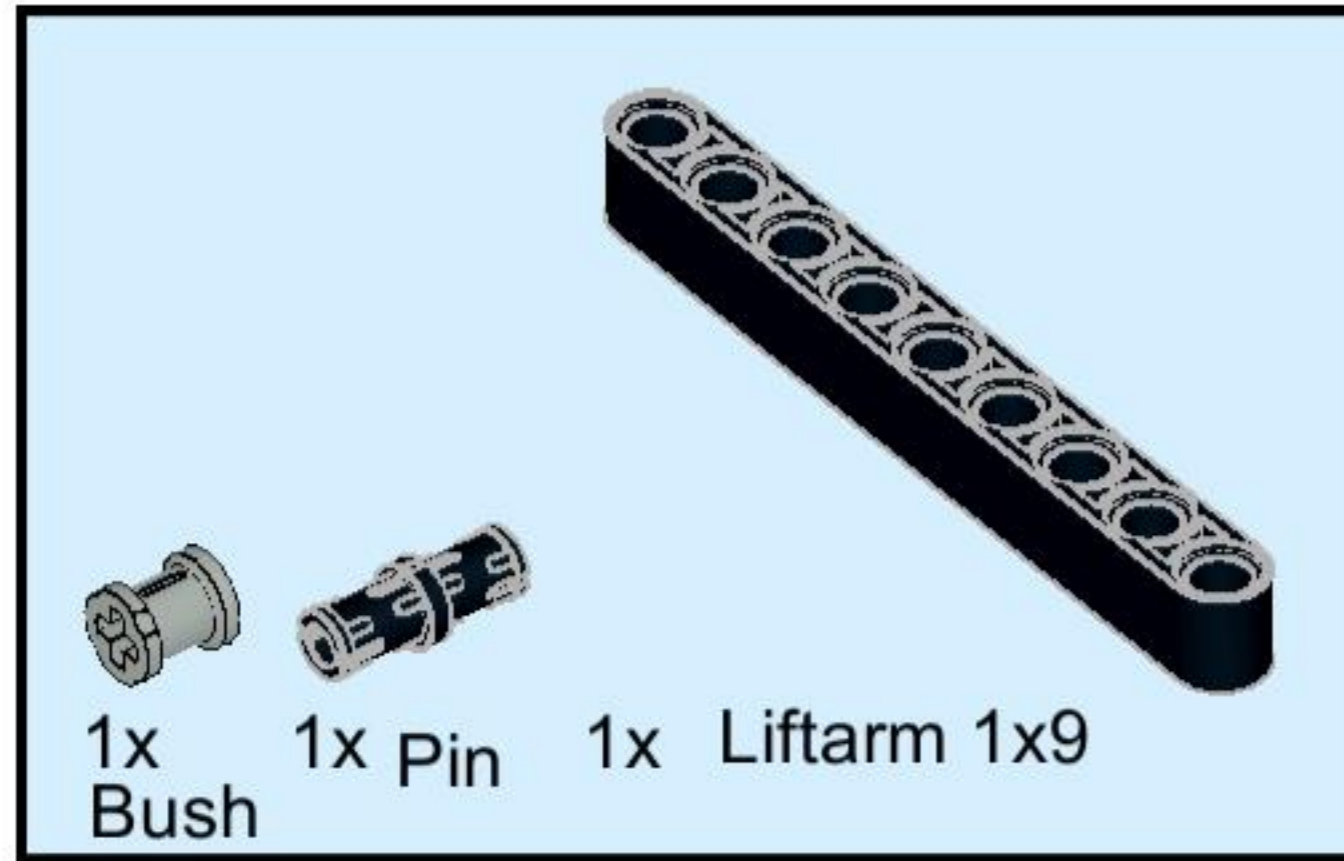


1x  
6558, 7

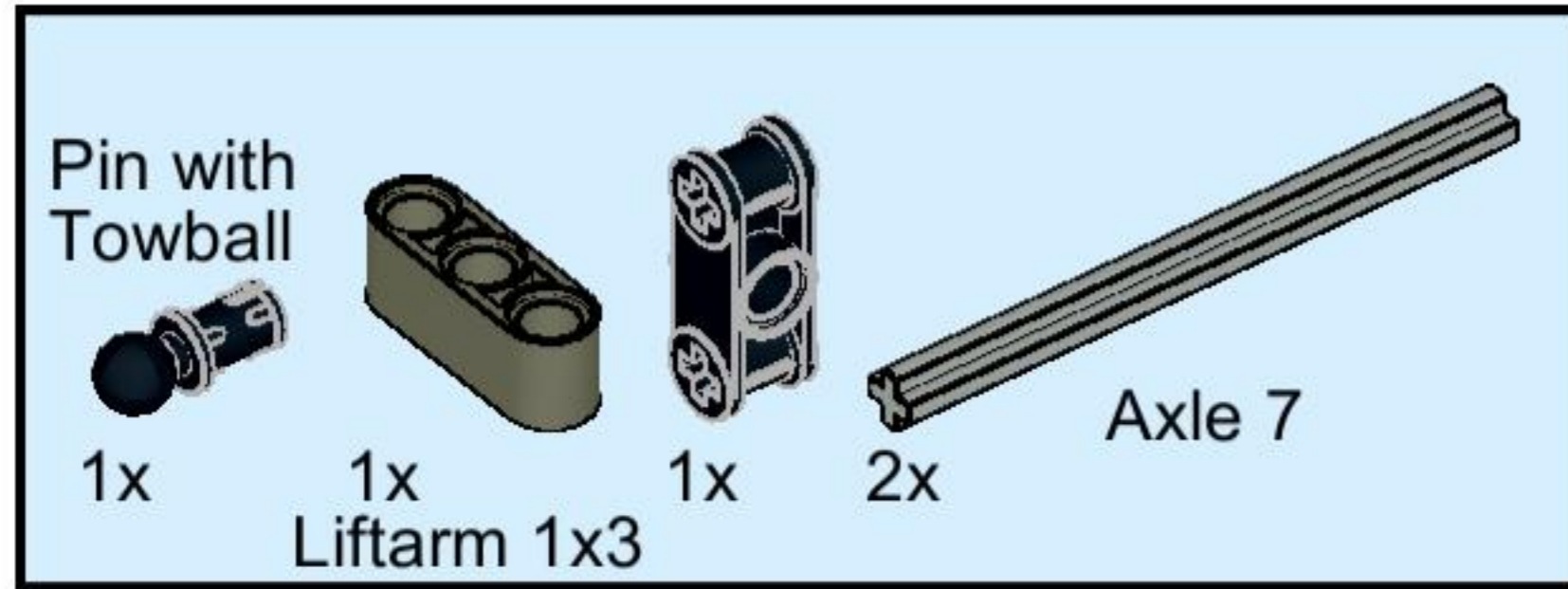
# 1



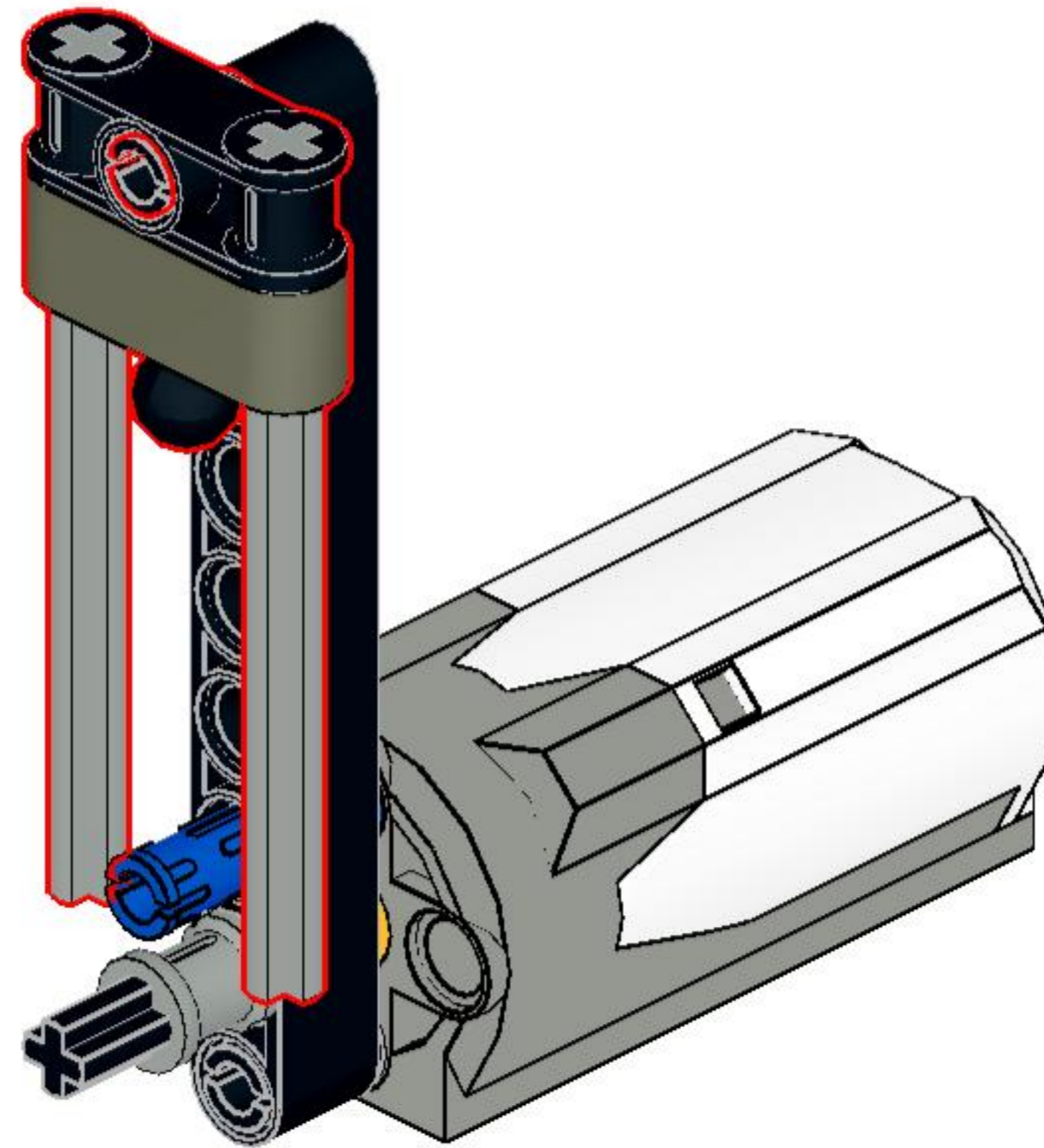
# 2



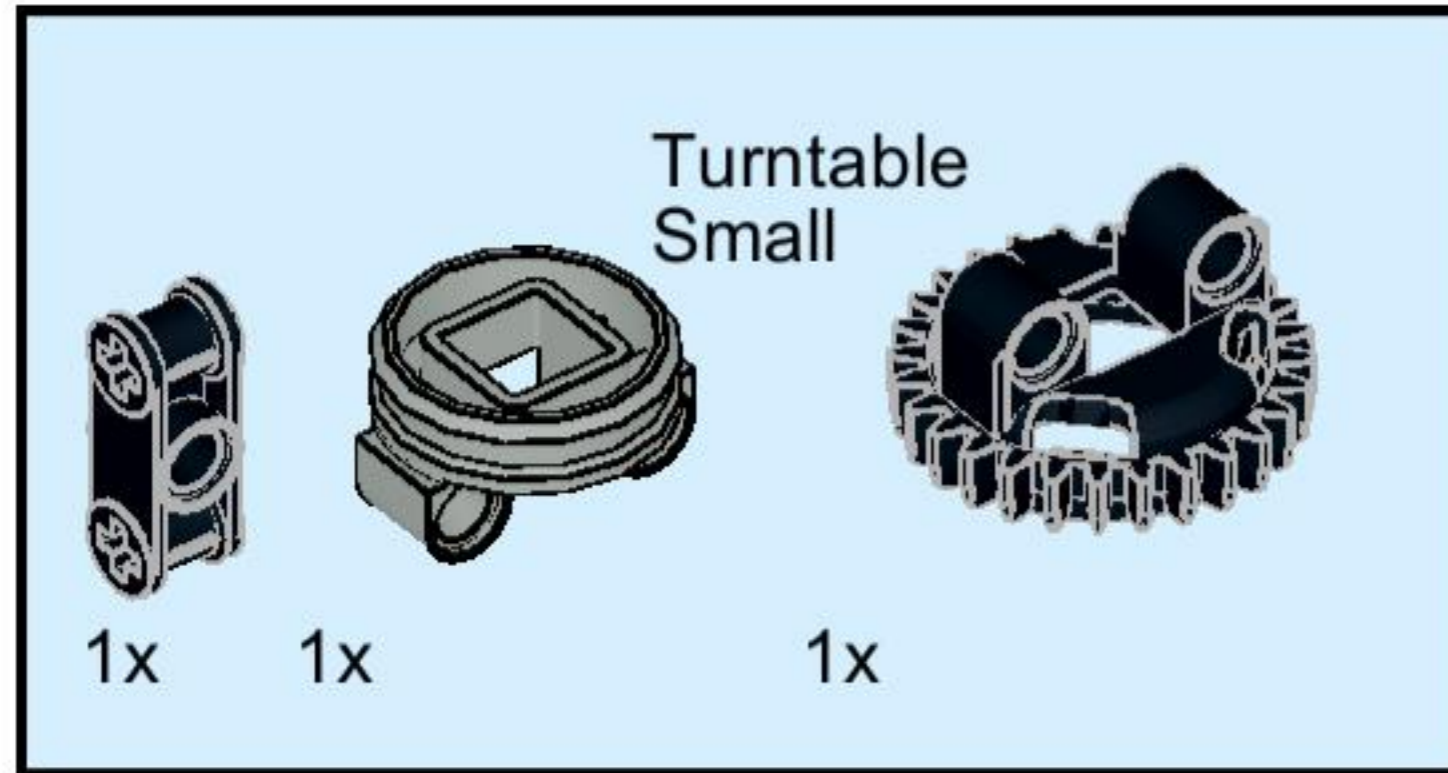
# 3



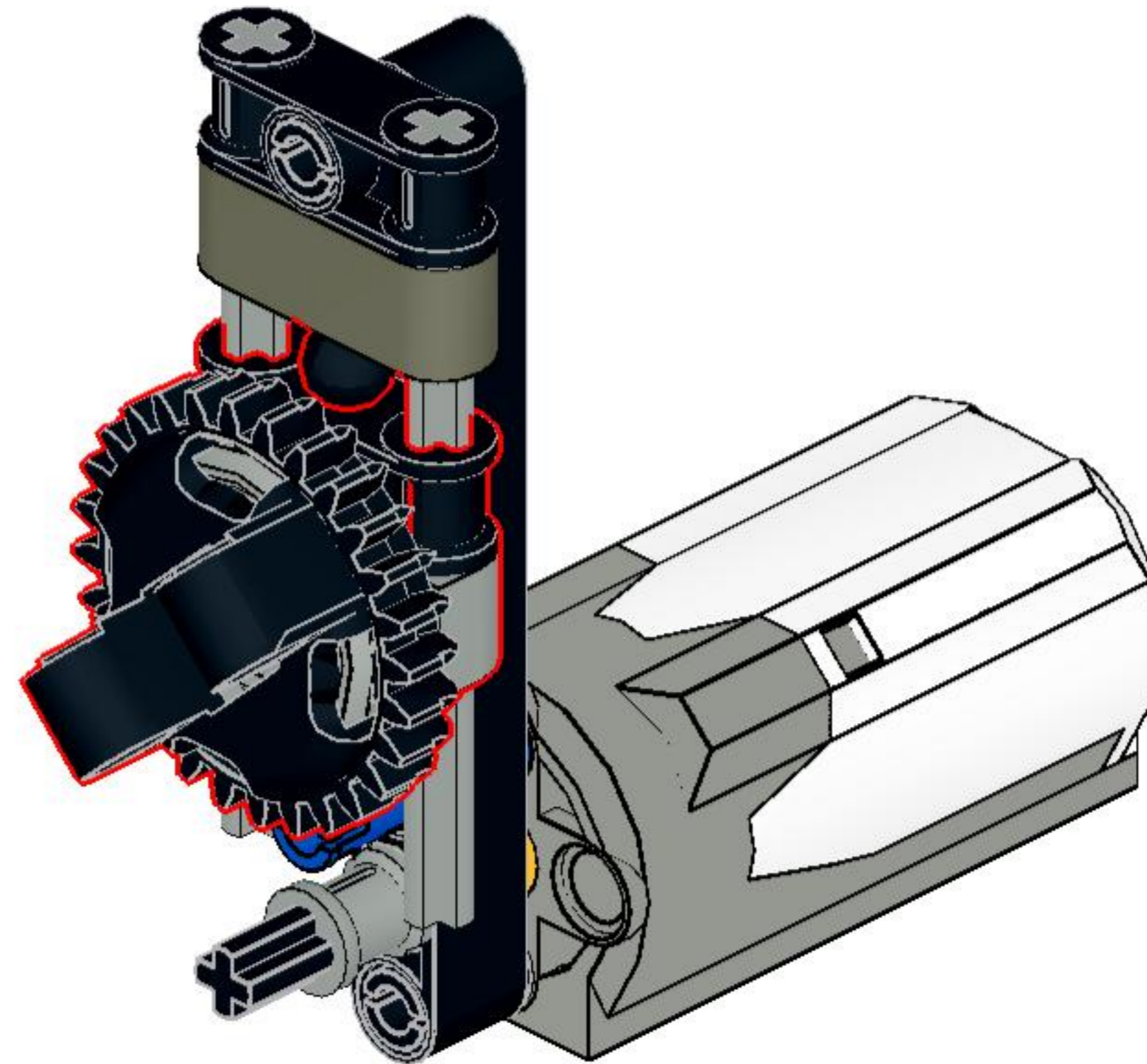
Axle and Pin  
Connector  
Perpendicular 3L  
with Center Pin  
Hole



# 4



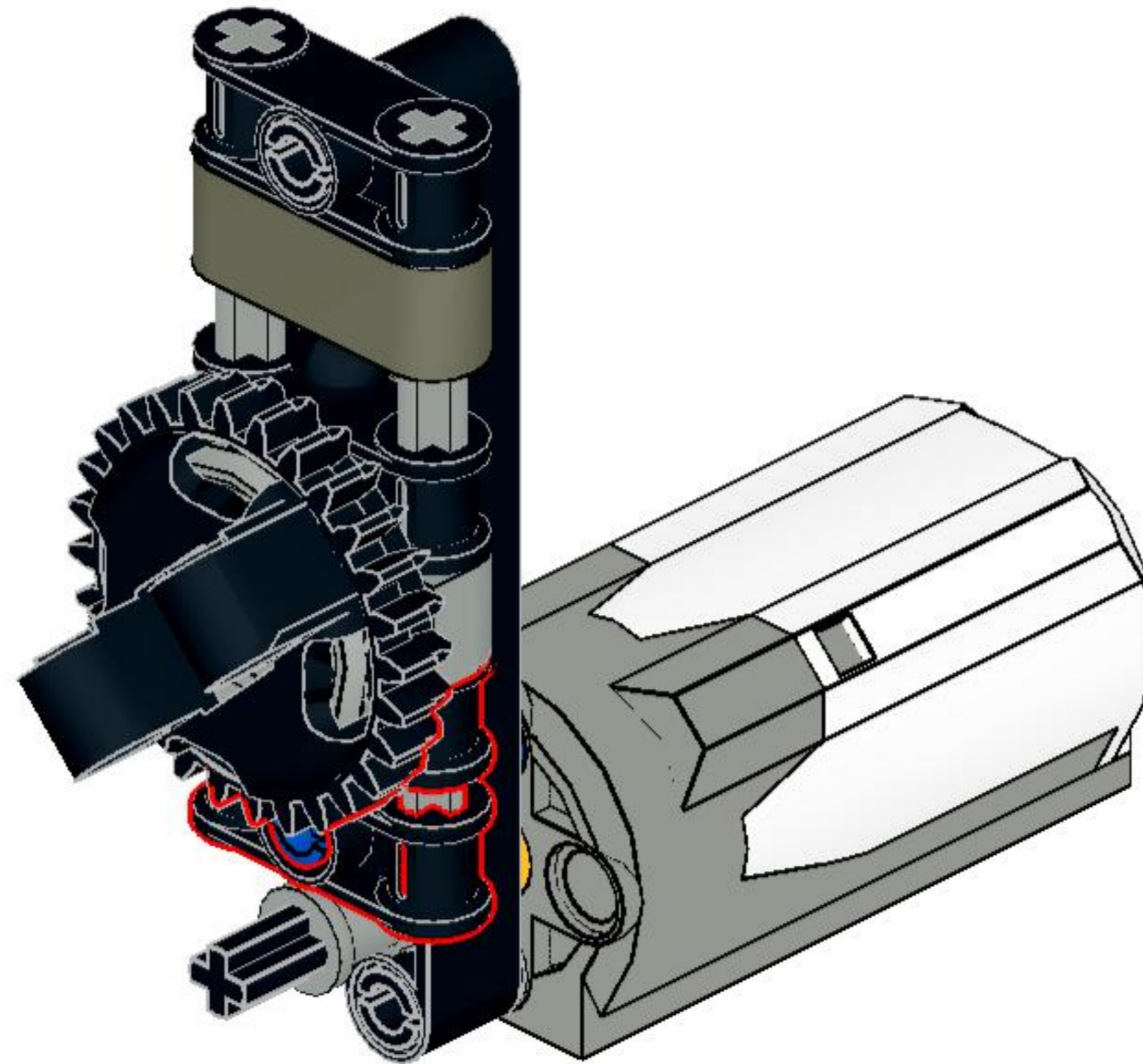
Axle and Pin  
Connector  
Perpendicular 3L  
with Center Pin  
Hole



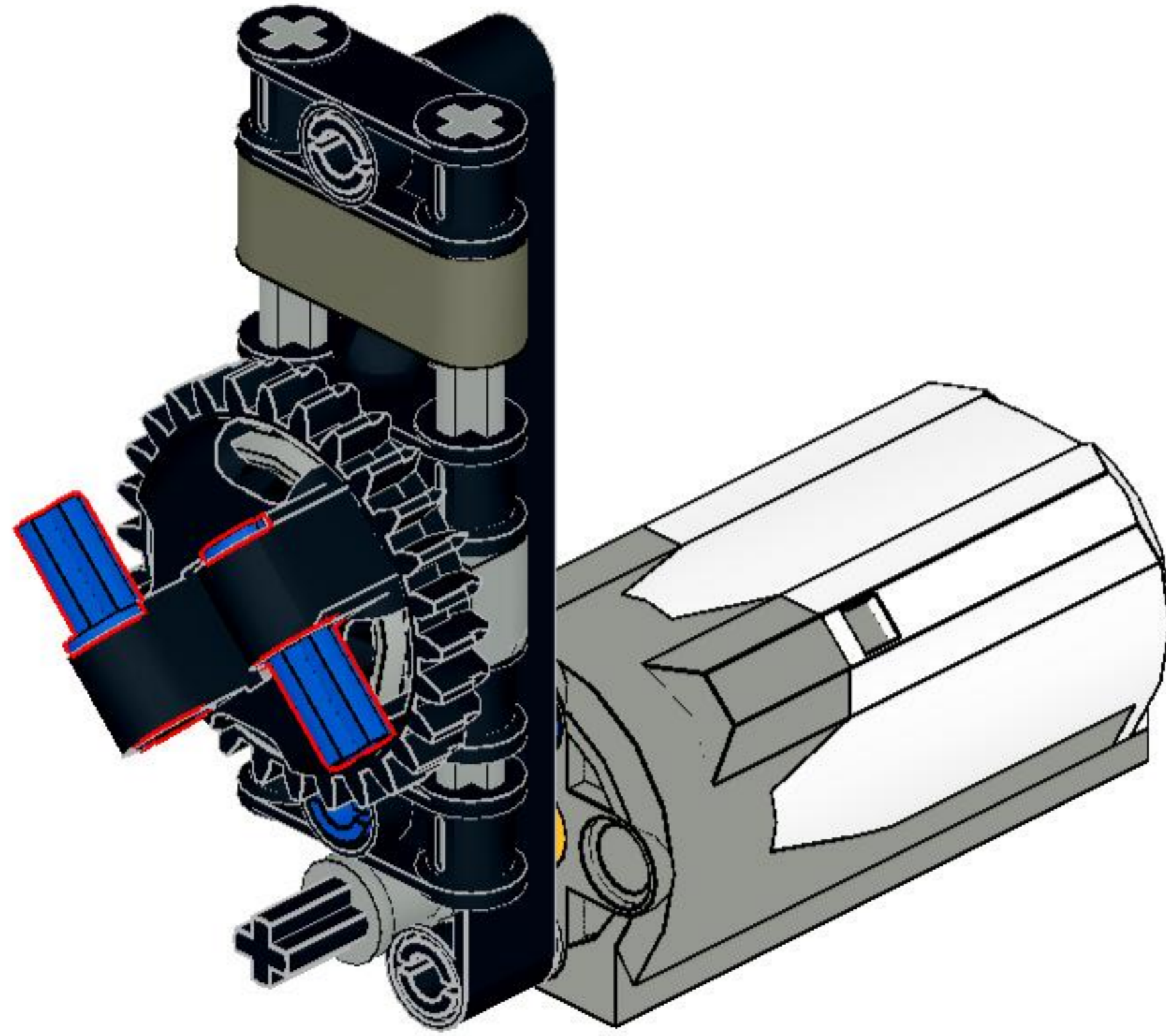
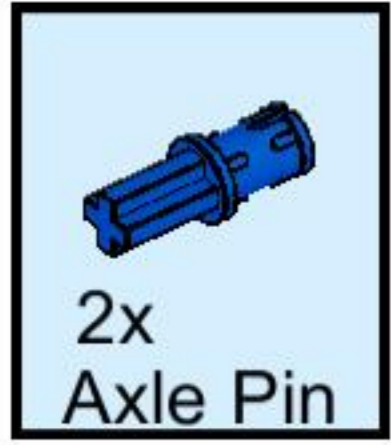
5



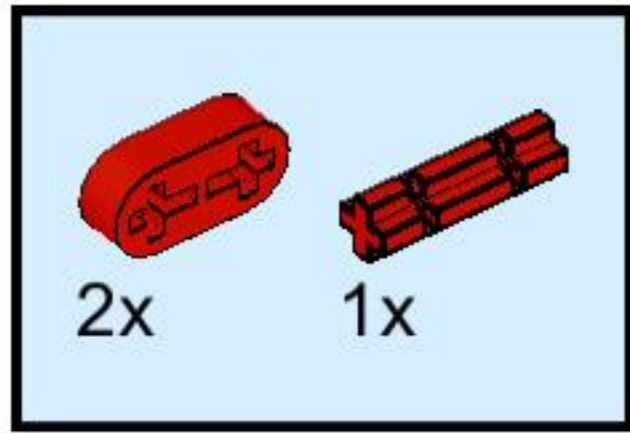
Axle and Pin  
Connector  
Perpendicular 3L  
with Center Pin  
Hole



6

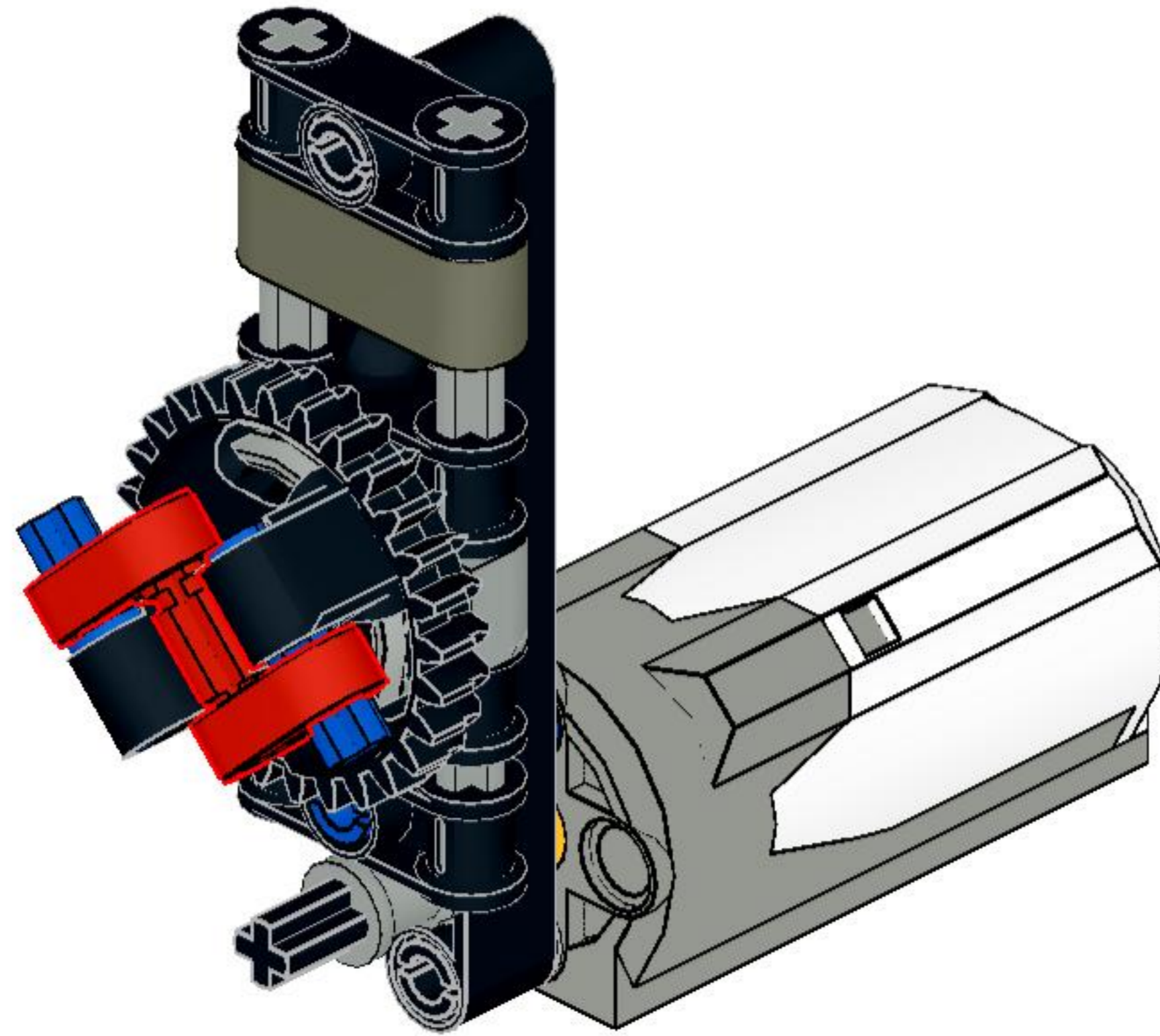


7



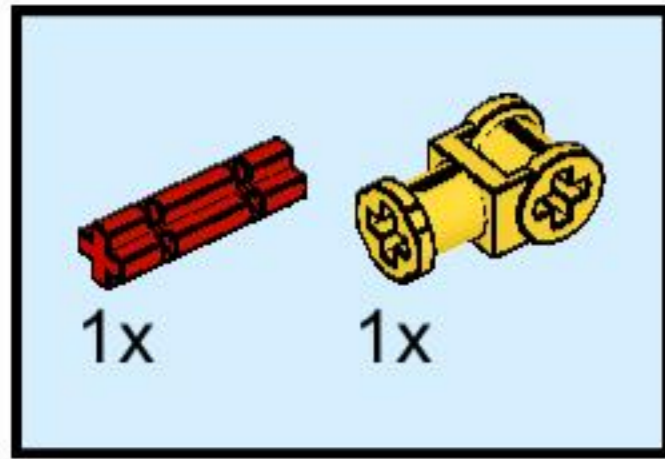
Liftarm  
1x2  
Thin

Axle 2  
Notched



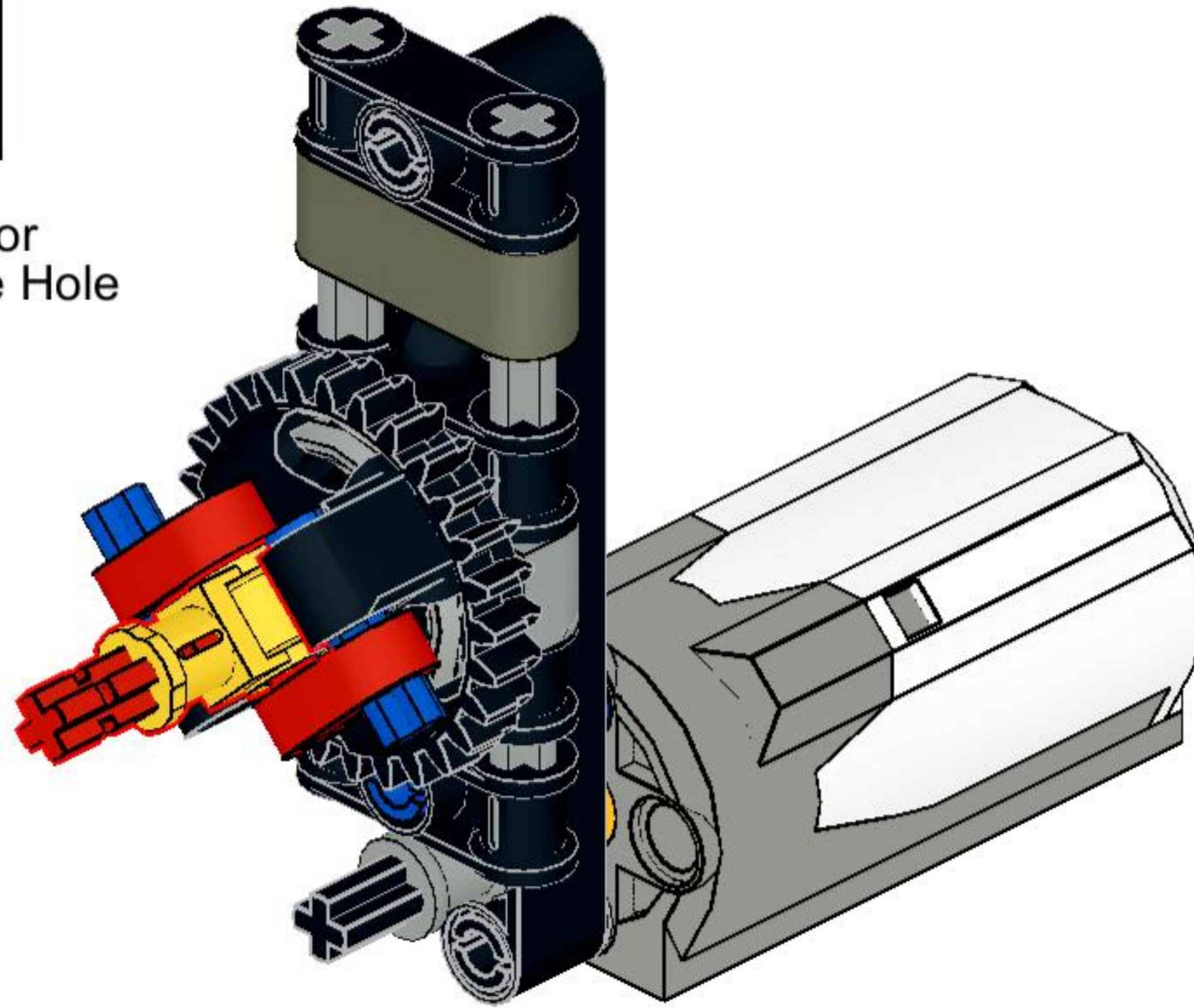


8



Axle 2  
Notched

Axle  
Connector  
with Axle Hole



9



Axle and Pin  
Connector  
Angled #1

